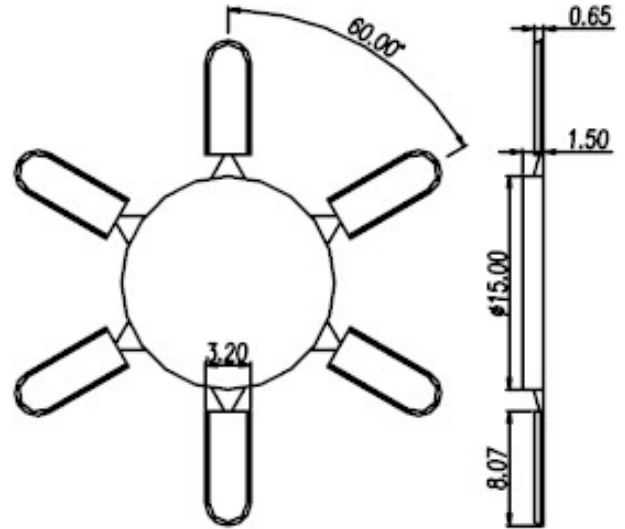


Accessory / Key code

ESDK2



for ESD series

