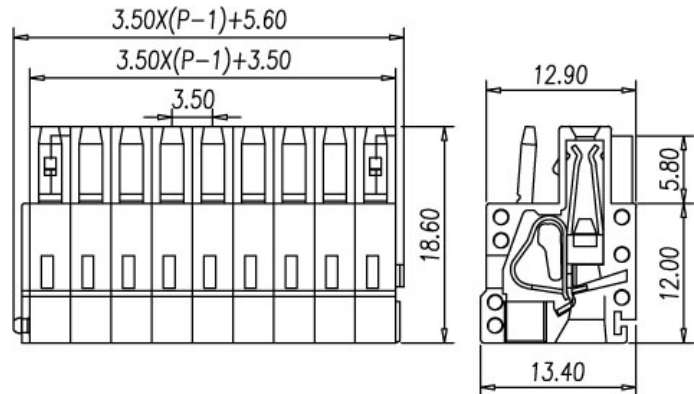
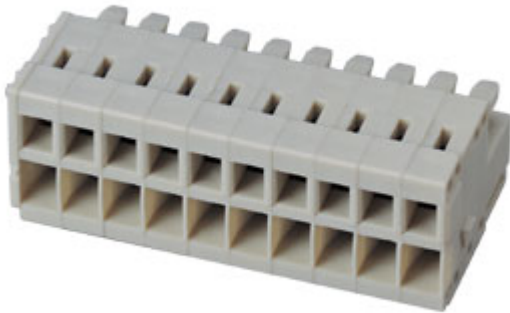



Spring plugs for pluggable terminal blocks / 0134 series



0134-41



Pitch: 3.50mm

Approval		
Technical Data	UL	IEC
Rated voltage	300V	130V
Rated current	10A	10A
Wire range		
Solid wire (AWG)	28~14	
Stranded wire (AWG/mm ²)		
Rated surge voltage (UL/IEC/Max.)	1.6 / 1.25 / KV	
Torque (Lb-in)		
Screw		
Wire strip length	8~9mm	
Pole	Cat. No.	
01	0134-4101	
02	0134-4102	
03	0134-4103	
:	:	

TEL: +886-2-2908-0614

FAX: +886-2-2908-8549

E-mail: infor@dinkle.com.tw