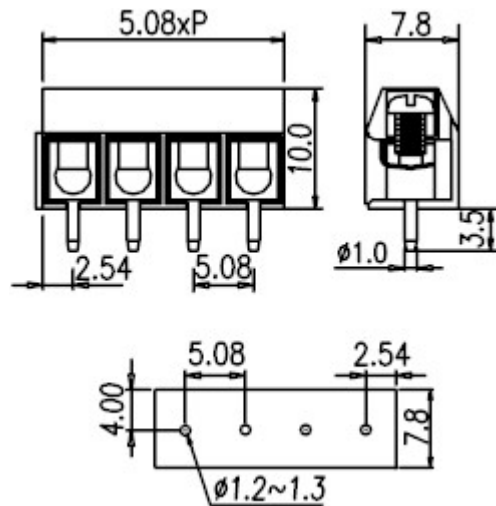
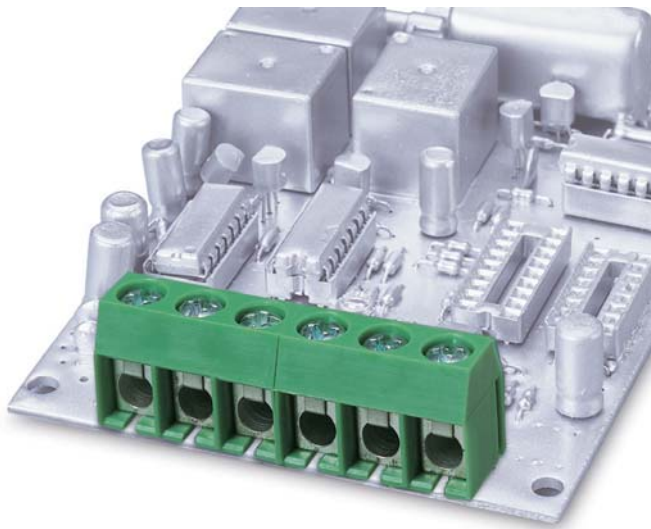




Wire protector type terminal blocks / ED series



ED508V



Pitch: 5.08mm

Approval	 	
Technical Data	UL	IEC
Rated voltage	300V	250V
Rated current	16A	17.5A
Wire range		1.5mm ²
Solid wire (AWG)	24~14	
Stranded wire (AWG/mm ²)	24~14	
Rated surge voltage (UL/IEC/Max.)	1.6 / 2 / 4 KV	
Torque (Lb-in)	3.5	
Screw	M2.5	
Wire strip length	5~6mm	
Pole	Cat. No.	
02	ED508V-02P	
03	ED508V-03P	

TEL: +886-2-2908-0614

FAX: +886-2-2908-8549

E-mail: infor@dinkle.com.tw