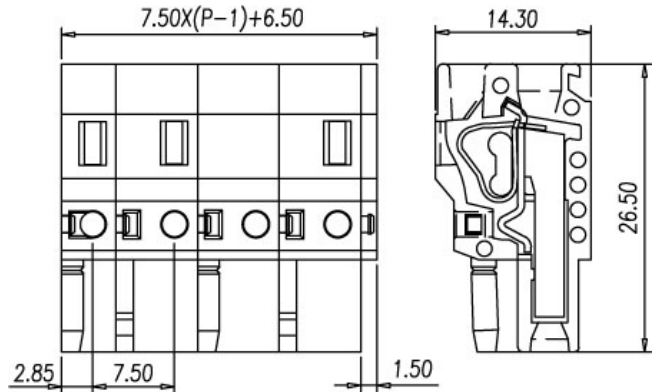


Spring plugs for pluggable terminal blocks / 0134 series



**0134-32**



**Pitch: 7.50mm**

Approval	<b>UL</b>	
Technical Data	UL	IEC
Rated voltage	300V	450V
Rated current	15A	12A
Wire range		1.5mm <sup>2</sup>
Solid wire (AWG)	26~14	
Stranded wire (AWG/mm <sup>2</sup> )		
Rated surge voltage (UL/IEC/Max.)	1.6 / 2.5 / KV	
Torque (Lb-in)		
Screw		
Wire strip length	10~11mm	
Pole	Cat. No.	
01	0134-3201	
02	0134-3202	
03	0134-3203	
:	:	

**TEL:** +886-2-2908-0614

**FAX:** +886-2-2908-8549

**E-mail:** [infor@dinkle.com.tw](mailto:infor@dinkle.com.tw)