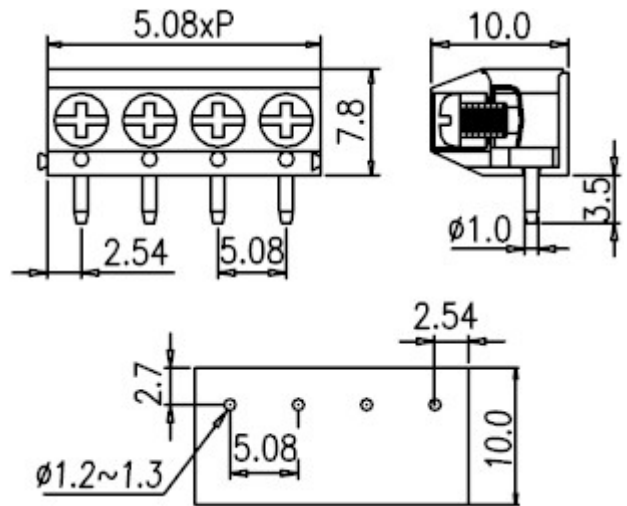
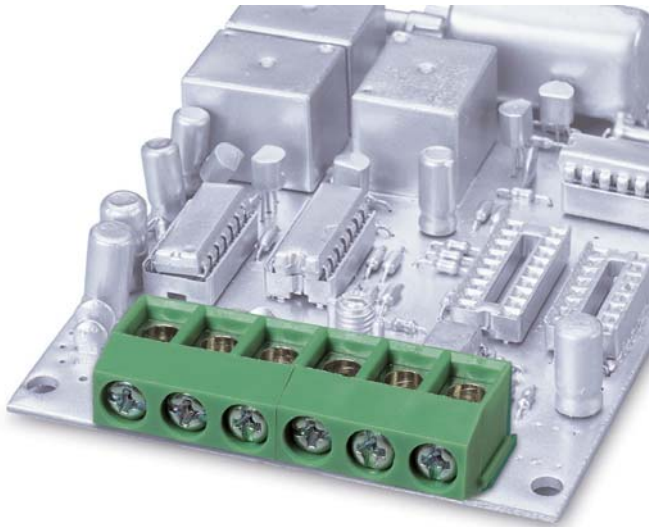


Wire protector type terminal blocks / ED series



**ED508R**



**Pitch: 5.08mm**

Approval	<b>UL</b>	
Technical Data	UL	IEC
Rated voltage	300V	250V
Rated current	16A	10A
Wire range		2.5mm <sup>2</sup>
Solid wire (AWG)	24~14	
Stranded wire (AWG/mm <sup>2</sup> )	24~14	
Rated surge voltage (UL/IEC/Max.)	1.6 / 2 / 4 KV	
Torque (Lb-in)	3.5	
Screw	M2.5	
Wire strip length	5~6mm	
Pole	Cat. No.	
02	ED508R-02P	
03	ED508R-03P	

TEL: +886-2-2908-0614

FAX: +886-2-2908-8549

E-mail: [infor@dinkle.com.tw](mailto:infor@dinkle.com.tw)