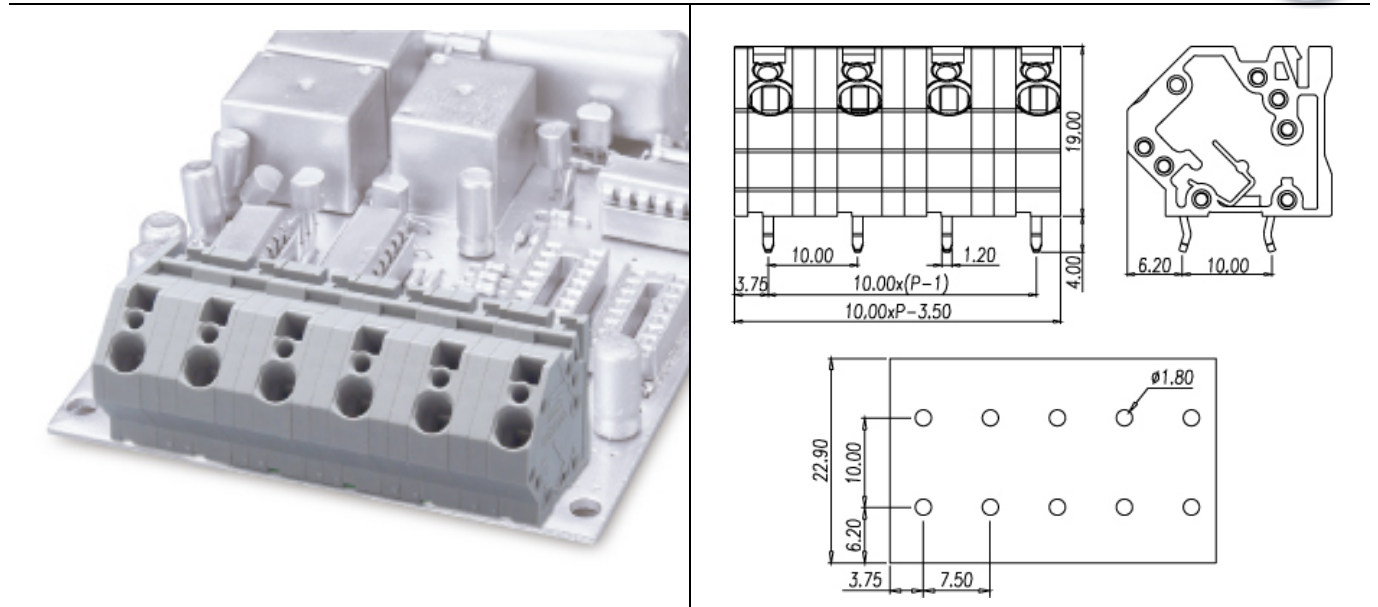


Clamp Spring - Spring type terminal blocks / WSK series



WSKA500-..P2



Pitch: 10.00mm

Approval	<Pending>	
Technical Data	UL	IEC
Rated voltage	300V	750V
Rated current	15A	24A
Wire range		4mm ²
Solid wire (AWG)	28-12	
Stranded wire (AWG)	28-12	
Insulation voltage (UL/IEC/Max.)	1.6(2.2) / / KV	
Wire strip length	10-11mm	
End Cover		
Pole	Cat. No.	
01	WSKA500-01P2	
02	WSKA500-02P2	
03	WSKA500-03P2	
:	:	

TEL: +886-2-2908-0614

FAX: +886-2-2908-8549

E-mail: infor@dinkle.com.tw