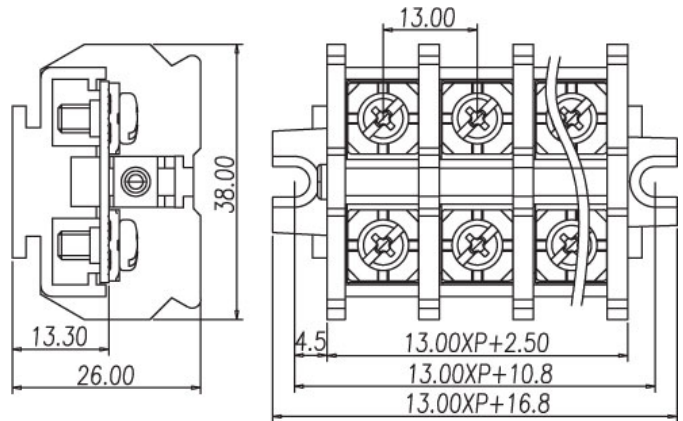


Panel Mounting Design / DKB-XXP series



**DKB30-XXP**



**Pitch: 13mm**

Approval	<b>UL</b>		FW2
Technical Data	UL	IEC	
Rated Voltage	600V		
Rated Current	30A		
Applicable Wire (AWG)	22~10		
Torque (Lb-in)	10.6		
Screw	M4		
Housing Material	PC		

TEL: +886-2-2908-0614

FAX: +886-2-2908-8549

E-mail: [infor@dinkle.com.tw](mailto:infor@dinkle.com.tw)