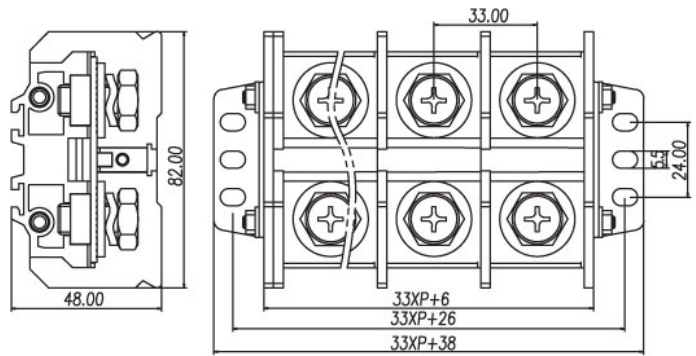


Panel Mounting Design / DKB-XXP series



DKB200-XXP



Pitch: 27mm

Approval	UL		FW2
Technical Data	UL	IEC	
Rated Voltage	600V		
Rated Current	230A		
Applicable Wire (AWG)	8~4/0		
Torque (Lb-in)	88.5		
Screw	M10		
Housing Material	PC		

TEL: +886-2-2908-0614

FAX: +886-2-2908-8549

E-mail: infor@dinkle.com.tw